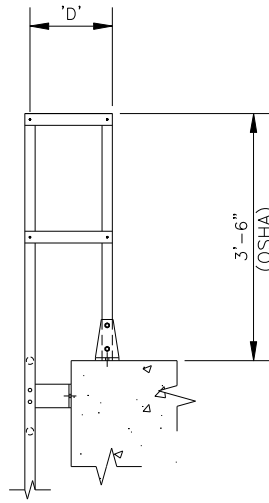
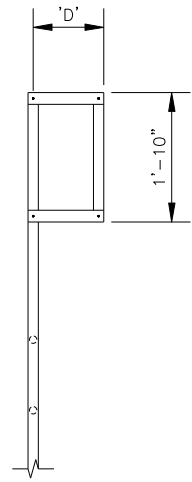


FRP LADDER - TYPE R1

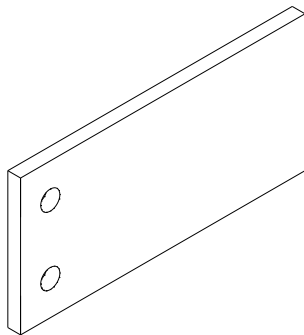


FRP LADDER - TYPE R2

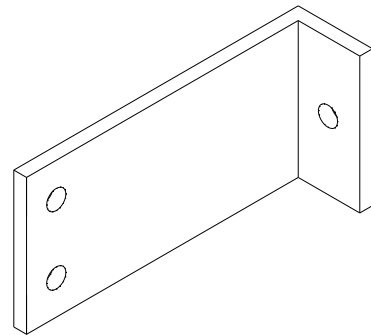


FRP LADDER - TYPE R3

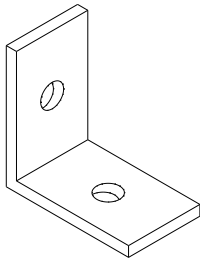
FRP LADDER RAIL EXTENSION OPTIONS



TYPE S1
8" X 4" X 3/8" FRP PLATE



TYPE S2
7 7/8" X 2 3/16" X 3/8"
X 0'-4" LONG FRP ANGLE



STANDARD BASE CLIP
3" X 3" X 3/8" X 0'-1 3/4" FRP ANGLE

STRUCTURAL FIBERGLASS, INCORPORATED

BUSINESS ROUTE 220 NORTH, POST OFFICE BOX 615, BEDFORD, PA 15522

THIS DRAWING, AND THE INFORMATION CONTAINED HEREIN, IS THE PROPERTY OF SFI AND IS NOT TO BE REPRODUCED, DISTRIBUTED, OR DISCLOSED IN ANY MANNER WITHOUT WRITTEN CONSENT FROM SFI.

TITLE

SPECIFICATION WORKSHEET
STANDARD STAND-OFF CLIPS

DWG. NO.

WS-1000

SHT. NO.

3
OF 3