

**Section Properties: Section1\_FLUTED TUBE - FM.dxf**

**Section Information:**

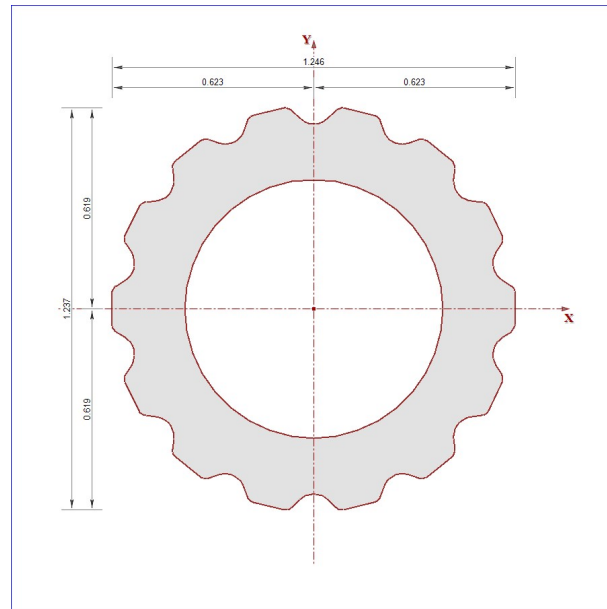
Material Type	=	General
Shape Type	=	Arbitrary
Number of Shapes	=	1

**Basic Properties:**

Total Width	=	1.246	in
Total Height	=	1.237	in
Centroid, Xo	=	0.625	in
Centroid, Yo	=	0.619	in
X-Bar (Right)	=	0.623	in
X-Bar (Left)	=	0.623	in
Y-Bar (Top)	=	0.619	in
Y-Bar (Bot)	=	0.619	in
Max Thick	=	1.246	in

**Equivalent Properties:**

Area, Ax	=	0.653	in <sup>2</sup>
Inertia, Ixx	=	0.086	in <sup>4</sup>
Inertia, Iyy	=	0.086	in <sup>4</sup>
Inertia, Ixy	=	0.000	in <sup>4</sup>
Sx (Top)	=	0.139	in <sup>3</sup>
Sx (Bot)	=	0.139	in <sup>3</sup>
Sy (Left)	=	0.138	in <sup>3</sup>
Sy (Right)	=	0.138	in <sup>3</sup>
rx	=	0.363	in
ry	=	0.363	in
Plastic Zx	=	0.212	in <sup>3</sup>
Plastic Zy	=	0.212	in <sup>3</sup>
Torsional J	=	0.156	in <sup>4</sup>
As-xx Def	=	1.000	
As-yy Def	=	1.000	
As-xx Stress	=	1.000	
As-yy Stress	=	1.000	



Section Diagram