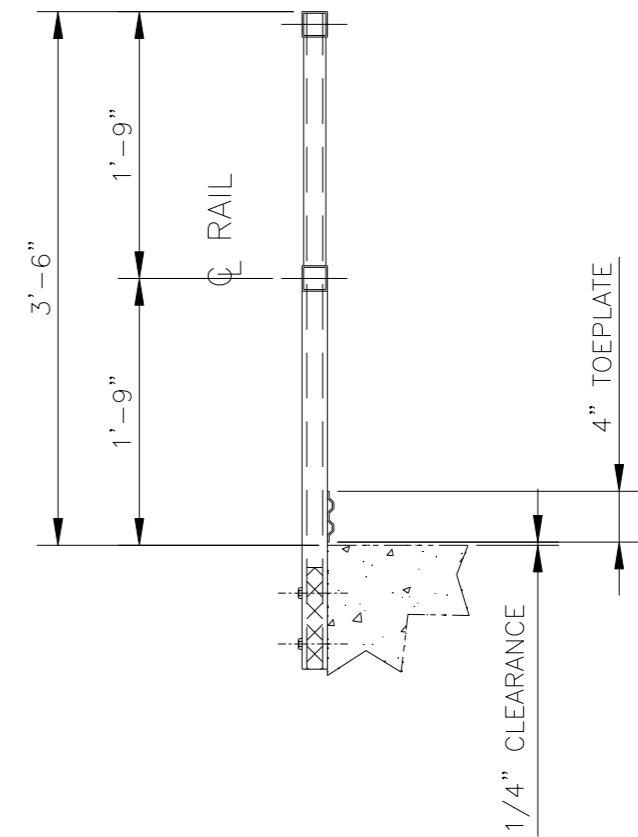
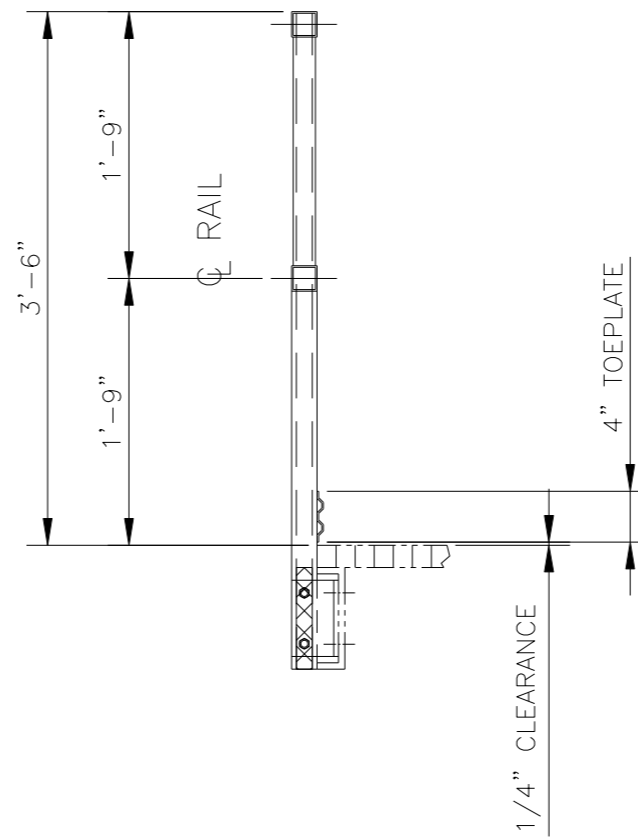
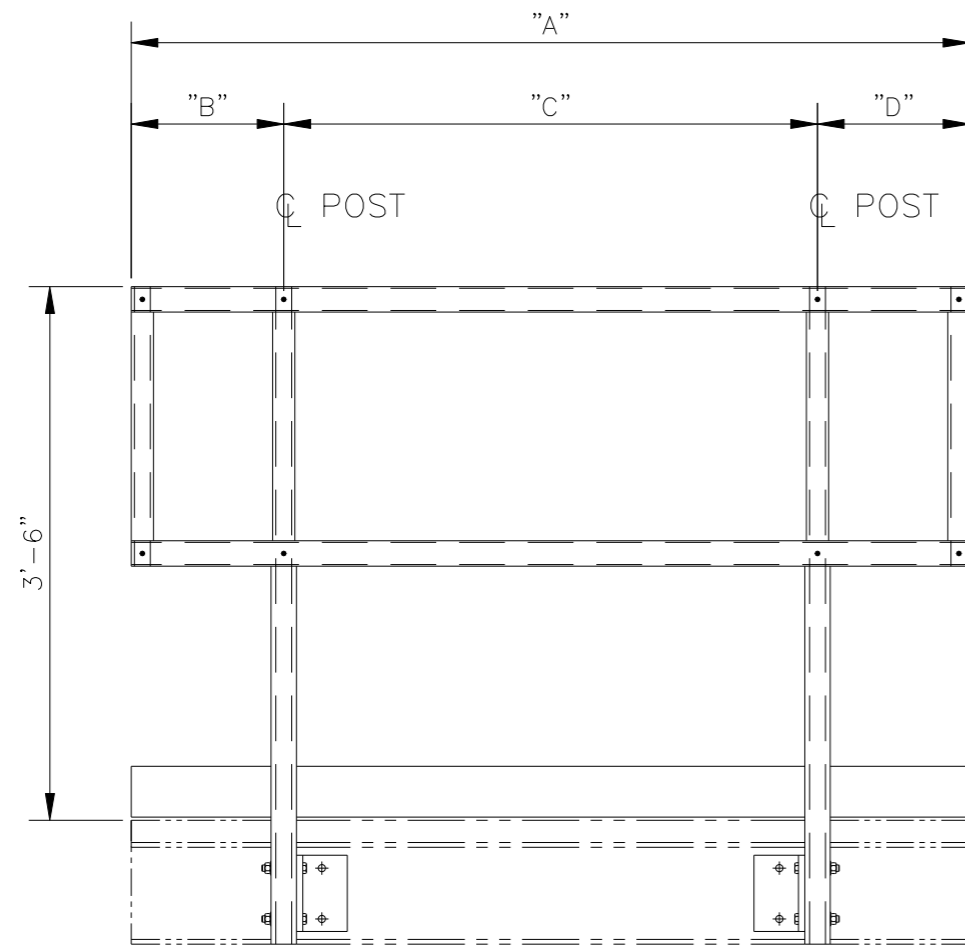


# FRP SIDE MOUNT HANDRAIL MATERIALS

- HANDRAIL UPPER POST = 1 3/4" X 1 3/4" X 1/4" SQUARE TUBE.
- HANDRAIL LOWER POST = 2" X 2" X 3/8" SQUARE TUBE.
- HANDRAIL POST (CONNECTION PORTION) = 2" X 2" SOLID SQUARE BAR.
- HANDRAIL TOE PLATE = 4" X 1/2" X 1/8" DOUBLE-RIB PROFILE.
- HANDRAIL UPPER AND LOWER RAIL = 2" X 2" X 1/8" SQUARE TUBE.
- SIDE MOUNTING CONNECTION CLIP = 4" X 4" X 1/2" FRP ANGLE.
- SFI CONNECTION HARDWARE = TYPE 316 STAINLESS STEEL, 1/2" DIAMETER BOLTS, NUTS AND WASHERS.



STRUCTURAL FIBERGLASS, INCORPORATED

BUSINESS ROUTE 220 NORTH, POST OFFICE BOX 615, BEDFORD, PA 15222

THIS DRAWING, AND THE INFORMATION CONTAINED HEREIN, IS THE PROPERTY OF SFI AND IS NOT TO BE REPRODUCED, DISTRIBUTED, OR DISCLOSED IN ANY MANNER WITHOUT WRITTEN CONSENT FROM SFI.

TITLE SPECIFICATION WORKSHEET  
FRP SIDE MOUNT HANDRAIL

DWG. NO. WS-1001

SHT. NO.  
2  
OF 3